

Low Speed Refrigerated Centrifuge

Scope of Application

Wide applicability in various industries, including teaching, research, food safety, and environmental protection. With exceptional cooling and precise performance, it ensures accurate and reliable results in scientific and industrial processes.

Key Features



Intelligent Operation

Touchscreen control with multiples programmable settings (at least 20 programs); Auto-rotor recognition prevents mismatched runs.



Balance Protection

Six-axis vibration monitoring; Dynamic rotor balance detection; Electronic gradienter; Halts operation instantly upon imbalance.



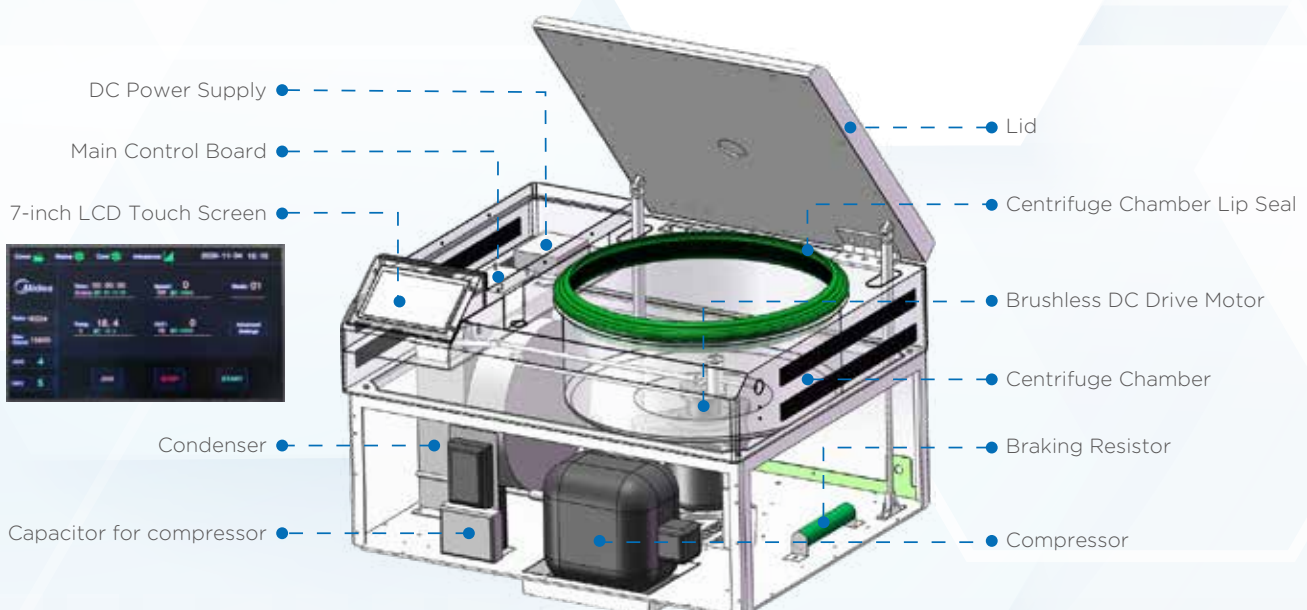
Lab-Grade Durability

304 stainless steel chamber + reinforced steel frame; Brushless inverter motor ensures 50,000+ cycles. Corrosion/wear resistant.



Advanced Efficiency

Cooling to 4°C in 5 min at 20°C ambient; Gravity-assisted door hinge + eco standby mode cuts energy use 40%; Low noise .



Specifications



Model	MLX-1042R	MLX-1048R	MLX-1050R
Refrigerated	Yes		
Max Capacity	300ml x 4	750ml x 4	
Max Speed(rpm)	6000		
Max RCF(xg)	5502		
Speed Accuracy(rpm)	±10		
Timer	1s-99h59min59s/short spin		
Temperature Range(°C)	-20 - 40		
Temperature Accuracy(°C)	±1		
Sound Level dB(A)	60	62	
Power Supply	110V~/50/60Hz 220-240V~/50/60Hz		
Display	LCD Touch Screen		
Exterior Dimension(W*D*H)mm	565 x 612 x 500	666 x 698 x 515	760 x 590 x 890
Packing Dimension(W*D*H)mm	775 x 690 x 660	820 x 780 x 700	830 x 700 x 1080
Net/Gross Weight(kg)	98/120	115/137	136/166

Available Rotor

Model	Available Rotor	Capacity	Max.Speed	Max.RCF
MLX-1042R		300ml x 4	4500 rpm	3645 xg
		Swing out rotor adapters: 250ml x 4 100ml x 4 50ml x 12 10ml x 40 (Vacutainer) 15ml x 20 (Conical) 3/5/7ml x 56 (Vacutainer)		
		100ml x 4	5000 rpm	3913 xg
		Swing out rotor adapters: 5ml/7ml (Vacutainer) x 32 10ml/15ml x 24 (Conical/Urine sediment tube) 100ml x 4 50ml x 8		
		5ml x 32	4500 rpm	3645 xg
		Auto-decapping swing-bucket rotor adapters: 5ml (Vacutainer) x 32 10ml/15ml x 24 (Conical/Urine sediment tube) 100ml x 4 50ml x 8		
		5/7ml x 40	4500 rpm	3645 xg
	Swing out rotor adapters: 5ml/7ml (Vacutainer) x 40 10ml/15ml x 24 (Conical/Urine sediment tube) 100ml x 4 50ml x 8			
	5/7ml x 48	4500 rpm	3645 xg	
	Swing out rotor adapters: 5ml/7ml (Vacutainer)x48 10ml/15ml x24 (Conical/Urine sediment tube)			
	5ml x 48	4500 rpm	3645 xg	
	Auto-decapping swing-bucket rotor adapters: 5ml (Vacutainer)x48 10ml/15ml x24 (Conical/Urine sediment tube)			
	50ml x 6	6000 rpm	5502 xg	
	96well x 4/ 96well x 4 x 2 (Microbial Reaction Plate)	5000 rpm	3530 xg	

Available Rotor

Model	Available Rotor	Capacity	Max.Speed	Max.RCF
MLX-1048R & MLX-1050R		750ml x 4	4200 rpm	3727 xg
		Swing out rotor adapters: 500ml x 4 250ml x 4(Std/Corning) 100ml x 12 50ml x 20(Conical) 50ml x 28(Round) 15mL x 56(Conical) 10ml x 76(Vacutainer) 3/5/7ml x 96(Vacutainer) 5ml x 148(RIA)		
		3/5ml x 96	4200 rpm	3727 xg
		Auto-decapping swing-bucket rotor adapters: 3ml/5ml (Vacutainer) x 96 100ml x 12 50ml (Conical) x 20 15ml/20ml (Conical) x 56		
		750ml x 4	4200 rpm	3727 xg
		Containment swing-bucket rotor adapters: 500ml x 4 250ml (Corning tube) x 4 250ml x 4 100ml x 12 50ml (Conical) x 20 15ml x 56 10ml (Vacutainer) x 76 3ml/5ml/7ml (Vacutainer) x 96 5ml x 148 (RIA tube) 3ml/5ml (Vacutainer) x 96 100ml x 12 50ml (Conical) x 20 15ml/20ml (Conical) x 56		
		3/5ml x 120	4200 rpm	3747 xg
		Swing out rotor adapters: 3ml/5ml (vacutainer) x 120 15ml x 56 50ml x 24		
		3/5ml x 120	4200 rpm	3747 xg
		Auto-decapping swing-bucket rotor adapters: 3ml/5ml (vacutainer) x 120 15ml x 56 50ml x 24		
	50ml x 6	6000 rpm	5502 xg	
	96well x 2/ 96well x 2 x 2 (Microbial Reaction Plate)	5000 rpm	3530 xg	
	96well x 4/ 96well x 4 x 2 (Microbial Reaction Plate)	4000 rpm	3667 xg	